

NOTES:

- CARD SLOT ACCEPTS 1.27±0.10 MM MODULE THICKNESS. (MEASURED OVER P.C. PADS).
- REFER TO PRODUCT SPEC. PS-87736-003 FOR PERFORMANCE SPECIFICATIONS.
- RECOMMENDED MODULE LAYOUT SHALL BE PER MO-206.
- RECOMMENDED PLATING ON MODULE PADS: 0.76 μM MIN HARD GOLD (Au) OVER 2.0 μM MIN NICKEL (Ni).
- PRODUCT WILL HAVE DATE CODE STAMPED ON SIDE OF HOUSING.

MATERIALS:

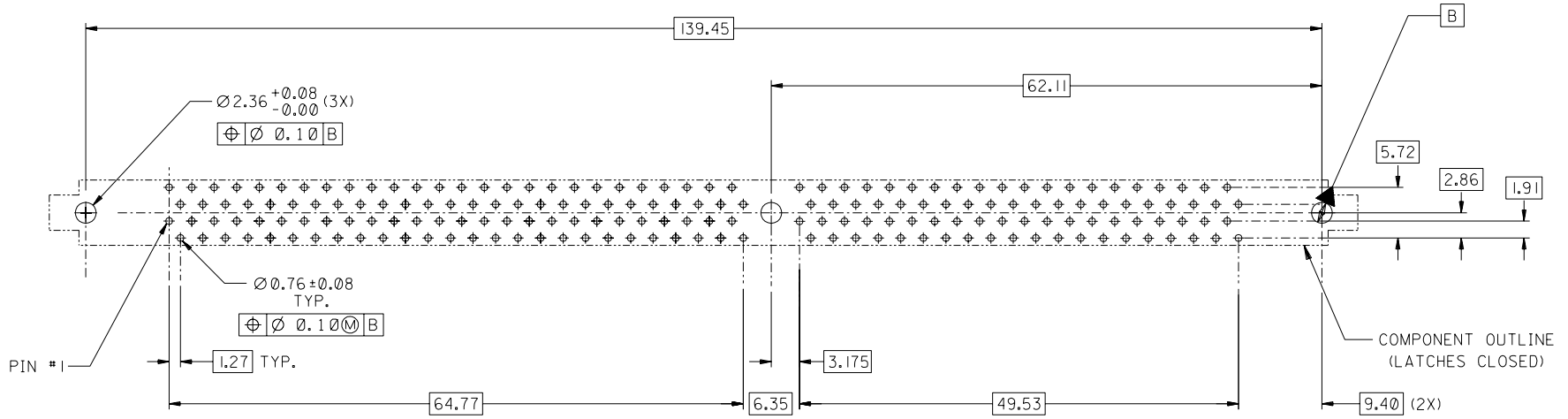
HOUSING - HIGH TEMP THERMOPLASTIC  
 TERMINAL- PHOSPHOR BRONZE  
 LATCHES - HIGH TEMP THERMOPLASTIC

PLATING:

CONTACT AREA: SEE TABLE IN SHEET 2.  
 SOLDER TAILS: TIN-LEAD (Sn-Pb); THICKNESS=1.91 μM/(75 μIN) MIN.  
 UNDERPLATE: 1.27 μM/(50 μIN) MIN NICKEL (Ni).

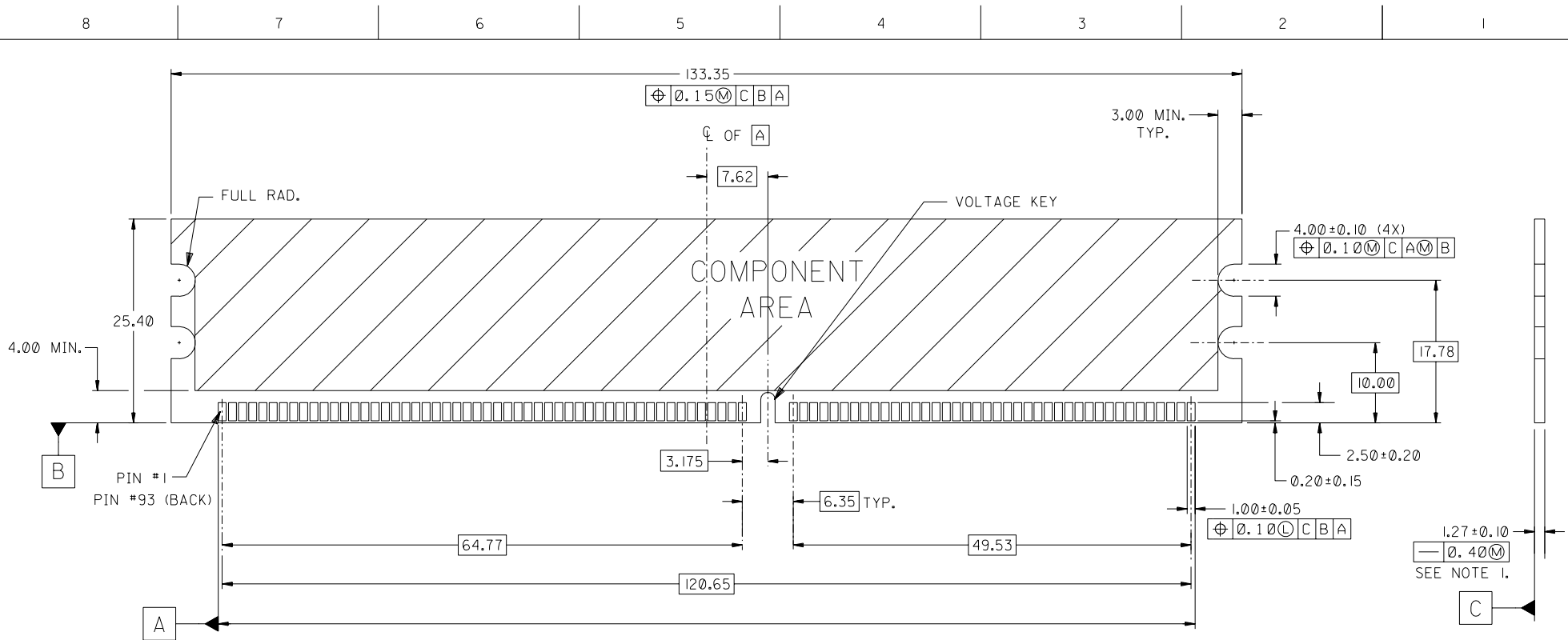
EC NO. S2003-0322 DRWN: COLYNN 050113 CHK: PT LIM 030115 APPR: KC LING 030115	QUALITY SYMBOLS MAJOR $\blacktriangledown = 0$ CRITICAL $\blacktriangledown = 0$	GENERAL TOLERANCES: (UNLESS SPECIFIED)		SCALE NTS	DESIGN UNITS <input checked="" type="checkbox"/> mm <input type="checkbox"/> INCH	THIRD ANGLE PROJECTION <input type="checkbox"/> mm <input type="checkbox"/> INCH <input type="checkbox"/> mm <input checked="" type="checkbox"/> mm ONLY	DIMENSIONS:		SHT	REV	
		4 PLACES	±0. - ±.	mm	INCH		DRAWN BY & DATE MEI LIN 10/05/00	TITLE: 1.27 MM PITCH DDR DIMM 184 CKT SINGLE KEY SALES DRAWING		3	B2
		3 PLACES	±0. - ±.	mm	INCH		CHECKED BY & DATE STEVEN Q 11/05/00			2	B2
		2 PLACES	±0.15 ±.	mm	INCH		APPROVED BY & DATE SK TOH 12/05/00			1	B2
		1 PLACE	±0. - ±.	mm	INCH						
		ANGULAR: ± - °		CAD FILENAME SD-87636-001.S01		MATERIAL NO. SEE TABLE	DRAWING NO. SD-87636-001	SHEET NO. 1 OF 3		REVISE ON CAD ONLY	
B2	REV	THIS DRAWING CONTAINS INFORMATION THAT IS PROPRIETARY TO MOLEX INCORPORATED AND SHOULD NOT BE USED WITHOUT WRITTEN PERMISSION.							SIZE A3		

PART NUMBER	DATUM VOLTAGE KEY	PACKAGING TYPE	DIM "T"	RECOMMENDED PCB THICKNESS	LATCH COLOR	CONTACT AREA PLATING
87636-0001	CENTER (1.8V)	TRAY	3.23	2.36	BEIGE	0.38uM/15uIN MIN. GOLD
87636-0002	LEFT (2.5V)		2.67	1.57		
87636-0011	CENTER (1.8V)		3.23	2.36		
87636-0012	LEFT (2.5V)		2.67	1.57		
87636-1001	CENTER (1.8V)		3.23	2.36	BLACK	0.38uM/15uIN MIN. GOLD
87636-1002	LEFT (2.5V)		2.67	1.57		
87636-1011	CENTER (1.8V)		3.23	2.36		
87636-1012	LEFT (2.5V)		2.67	1.57		



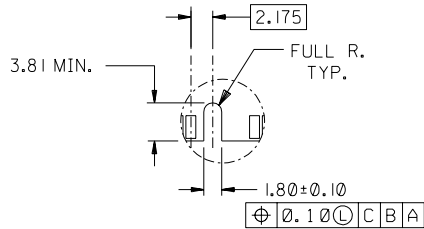
RECOMMENDED P.C. BOARD HOLE PATTERN  
(CONNECTOR SIDE)

EC NO. S2003-0322 DRWN: COLYNN 030113 CHK: PT LIM 030115 APPR: KC LING 030115	QUALITY SYMBOLS MAJOR $\blacktriangledown = 0$ CRITICAL $\blacktriangledown = 0$	GENERAL TOLERANCES: (UNLESS SPECIFIED)		SCALE NTS	DESIGN UNITS <input checked="" type="checkbox"/> mm <input type="checkbox"/> INCH	THIRD ANGLE PROJECTION <input type="checkbox"/> mm <input type="checkbox"/> INCH <input checked="" type="checkbox"/> mm ONLY	SHT REV
		4 PLACES $\pm 0. - \pm.$ 3 PLACES $\pm 0. - \pm.$ 2 PLACES $\pm 0.15 \pm.$ 1 PLACE $\pm 0. - \pm.$	mm INCH ± ±. ± ±. ± ±. ± ±.	DRAWN BY & DATE MEI LIN 10/05/00	TITLE: 1.27 MM PITCH DDR DIMM 184 CKT SINGLE KEY SALES DRAWING		MSH REV
B2 REV	DESCRIPTION	ANGULAR: $\pm - ^\circ$		APPROVED BY & DATE SK TOH 12/05/00	<b>MOLEX INCORPORATED</b>		SHEET NO. 2 OF 3
		CAD FILENAME SD-87636-001.S02		MATERIAL NO. SEE TABLE	DRAWING NO. SD-87636-001	THIS DRAWING CONTAINS INFORMATION THAT IS PROPRIETARY TO MOLEX INCORPORATED AND SHOULD NOT BE USED WITHOUT WRITTEN PERMISSION.	

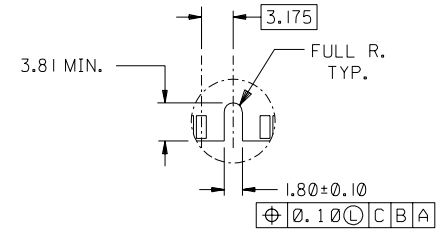


(OUTSIDE EDGE OF END PADS)

RECOMMENDED MODULE LAYOUT  
184 CKT 1.8V SHOWN



OFFSET LEFT KEY



CENTERED KEY

NOTES:

- STRAIGHTNESS OF MODULE APPLIES TO THE AREA FROM THE BOTTOM OF THE CARD UP 4.00 MM.
- IF TIE BARS ARE ATTACHED TO PADS, THE TIE BAR SHOULD BE ON AN INTERNAL LAYER, SO THAT THE REMNANT CANNOT CAUSE DAMAGE TO THE CONTACTS.

EC NO. S2003-0322 DRWN: COL YNN 030113 CHK: PT LIM 030115 APPR: KC LING 030115	QUALITY SYMBOLS MAJOR ▼ = 0 CRITICAL ▽ = 0	GENERAL TOLERANCES: (UNLESS SPECIFIED)		SCALE NTS	DESIGN UNITS <input checked="" type="checkbox"/> mm <input type="checkbox"/> INCH	<input checked="" type="checkbox"/> THIRD ANGLE <input type="checkbox"/> PROJECTION	DIMENSIONS: <input type="checkbox"/> mm <input type="checkbox"/> INCH <input type="checkbox"/> mm <input checked="" type="checkbox"/> INCH	SHT	REV
		4 PLACES ±0. - ±.	3 PLACES ±0. - ±.	2 PLACES ±0.15 ±.	1 PLACE ±0. - ±.	ANGULAR: ± - °	DRAWN BY & DATE MEI LIN 10/05/00	TITLE: 1.27 MM PITCH DDR DIMM 184 CKT SINGLE KEY SALES DRAWING	
REV	DESCRIPTION				APPROVED BY & DATE SK TOH 12/05/00	MOLEX INCORPORATED			
					CAD FILENAME SD-87636-001.S03	MATERIAL NO. SEE TABLE	DRAWING NO. SD-87636-001	SHEET NO. 3 OF 3	
THIS DRAWING CONTAINS INFORMATION THAT IS PROPRIETARY TO MOLEX INCORPORATED AND SHOULD NOT BE USED WITHOUT WRITTEN PERMISSION.									
									SIZE A3