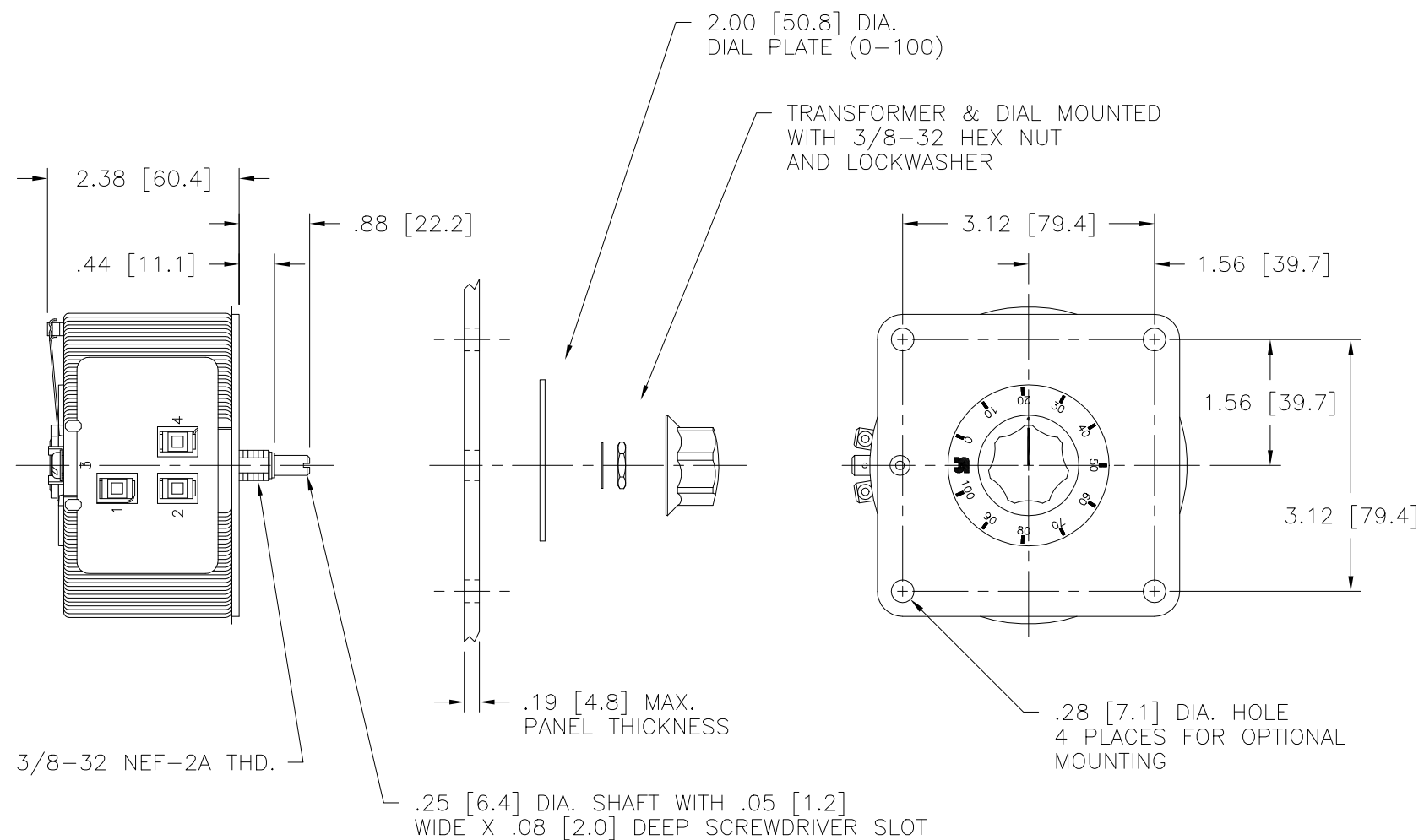
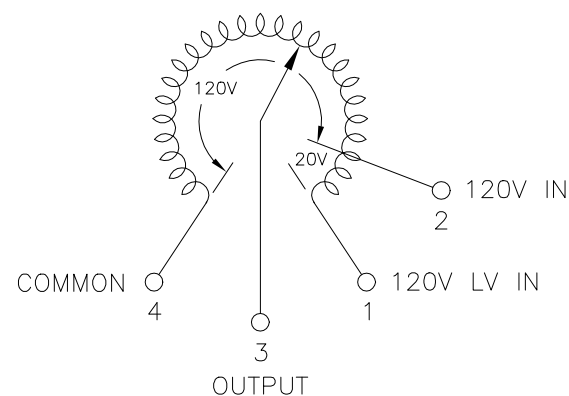


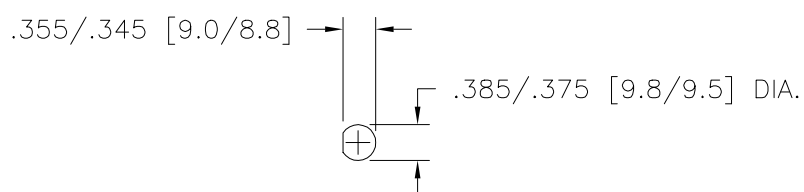
.25 [6.4] WIDE X .03 [0.8] THICK QUICK CONNECT TERMINALS WITH SOLDER LUGS AT OPPOSITE ENDS



.25 [6.4] DIA. SHAFT WITH .05 [1.2] WIDE X .08 [2.0] DEEP SCREWDRIVER SLOT



SCHEMATIC VIEWED FROM BASE END



SHAFT PANEL MTG. DETAIL FLAT TOWARDS TERMINALS

SPECIFICATIONS									
WIRING	INPUT		OUTPUT				TERMINAL CONNECTIONS AS VIEWED FROM BASE END		
	VOLTS	HERTZ	VOLTS	CONSTANT CURRENT LOAD		CONSTANT IMPEDANCE LOAD		INPUT	OUTPUT
SINGLE PHASE	120	50/60	0-120	MAX. AMPS	MAX. KVA	MAX. AMPS	MAX. KVA	1-4	4-3
				0-140	5.0	0.60	7.0		

UNLESS OTHERWISE SPECIFIED, TOLERANCE IS #				UNITS		TITLE: SPEC. CONTROL DRAWING						
DECIMALS	Holes	ANGLES	DRAFT	IN [mm]		VARIABLE TRANSFORMER						
.XX	.0000	.01	1°	1-1/2"		MODEL: 511						
MATERIAL:				ALL DIMENSIONS APPLY AFTER PLATING		DRAWN BY: S.A. SMITH		DATE: 2/6/96	FIRST USED ON:	DO NOT SCALE DWG.	CUSTOMER APPROVAL:	DATE:
The information and design disclosed herein was originated by and is the property of STACO ENERGY PRODUCTS CO., which reserves all patent, proprietary, design, manufacturing, reproduction, use and sale rights thereto, and to any article disclosed therein except to the extent rights are expressly granted to others. The foregoing does not apply to vendor proprietary parts.						CHECKER:	DATE:	WEIGHT APPROX. 4.25 LBS	CODE IDENT. NO. 83008	DWG. NO. 031-0825	DWG. NO. 031-0825	
						ENGINEER:	DATE:	SCALE 1=1	SHEET 1 OF 1			

