

**Product number FA11452_LN2-M2**

Family	Leila	FWHM	(simulated) 30
Type	Assembly	Efficiency	-
LED	MX-6	cd/lm	-
Color	Black	Gerber File	Available
Diameter	21.6 mm		
Height	13.3 mm		
Style	Round		
Optic Material	PMMA		
Holder Material	-		
Fastening	["tape"]		
Status	Production ready		

**Product number FA10696_LN2-RS**

Family	Leila	FWHM	14 degrees
Type	Assembly	Efficiency	94 %
LED	MX-6	cd/lm	-
Color	Black	Gerber File	Available
Diameter	21.6 mm		
Height	13.3 mm		
Style	Round		
Optic Material	PMMA		
Holder Material	-		
Fastening	["tape"]		
Status	Production ready		

**Product number FA10695_LN2-D**

Family	Leila	FWHM	18 degrees
Type	Assembly	Efficiency	92 %
LED	MX-6	cd/lm	-
Color	Black	Gerber File	Available
Diameter	21.6 mm		
Height	13.3 mm		
Style	Round		
Optic Material	PMMA		
Holder Material	-		
Fastening	["tape"]		
Status	Production ready		

**Product number FA10697_LN2-M**

Family	Leila	FWHM	26 degrees
Type	Assembly	Efficiency	90 %
LED	MX-6	cd/lm	-
Color	Black	Gerber File	Available
Diameter	21.6 mm		
Height	13.3 mm		
Style	Round		
Optic Material	PMMA		
Holder Material	-		
Fastening	["tape"]		
Status	Production ready		

**Product number FA10698_LN2-REC**

Family	Leila	FWHM	37+26 degrees
Type	Assembly	Efficiency	84 %
LED	MX-6	cd/lm	-
Color	Black	Gerber File	Available
Diameter	21.6 mm		
Height	13.3 mm		
Style	Round		
Optic Material	-		
Holder Material	-		
Fastening	["tape"]		
Status	Production ready		

Product number FA11108_LN2-O-90

Family	Leila	FWHM	40+19 degrees
Type	Assembly	Efficiency	91 %
LED	MX-6	cd/lm	-
Color	Black	Gerber File	Available
Diameter	21.6 mm		
Height	13.3 mm		
Style	Round		
Optic Material	-		
Holder Material	-		
Fastening	["tape"]		
Status	Production ready		

NOTE: The typical divergence will be changed by different color, chip size and chip position tolerance. The typical total divergence is the full angle measured where the luminous intensity is half of the peak value.



PRODUCT DATASHEET

Leila series

last update 15/2/2017

GENERAL INFORMATION

- Product series especially designed & optimized for MX-6 series of LEDs.
- Special care taken to make light distribution as uniform as possible.
- Lens material optical grade PMMA with high UV and temperature resistance. Allows use of high current and temperature conditions.

Please find more information about used material from below:

http://ledil.fi/sites/default/files/Documents/Technical/Material/PMMA%20N%20UL94_Yellow%20Card.pdf

<http://ledil.fi/sites/default/files/Documents/Technical/Material/PMMA%20N%20PLEXIGLAS-Datasheet.pdf>

D

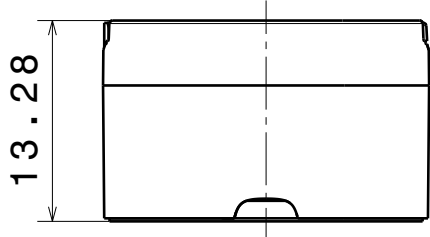
C

B

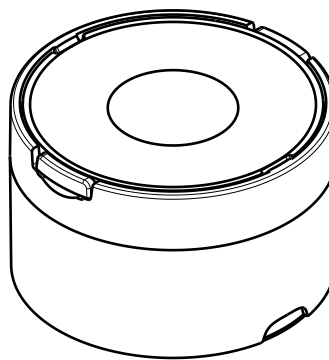
A

4

4



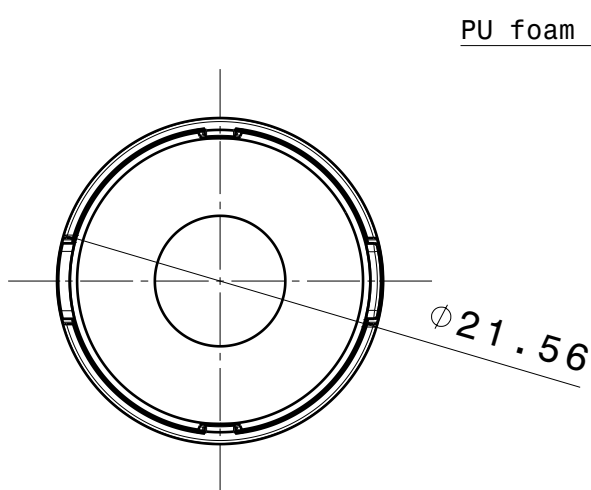
Front view



Isometric view
Scale: 2:1

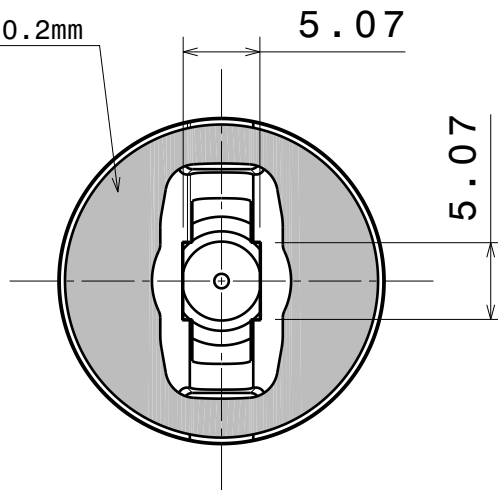
3

3



Front view
Scale: 2:1

PU foam tape 0.2mm



Rear view
Scale: 2:1

2

2

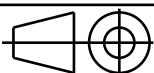
INDEX	PART NO	DESCRIPTION	MATERIAL	COLOUR
1	F10699	LN2-LH1-TAPE	PC	black
2	-	LN2-series lens	PMMA	

Tolerances if not otherwise shown
According to DIN ISO 2768-1
Linear measures:
Up to 30mm class M, otherwise class C.
According to DIN ISO 2768-2
Form and position: class L

LEDiL

Ledil Oy
Salorankatu 10
FIN 24240 SALO
Finland

THIRD ANGLE PROJECTION:



DRAWING TITLE

LN2 series

This drawing is the property
of LEDiL Oy. It may not be
reproduced, copied or
communicated without a written
agreement with LEDiL Oy.

SIZE PART NUMBER

A4

-

SCALE 2:1 WEIGHT 4 g SHEET 1/1

1

1

D

A