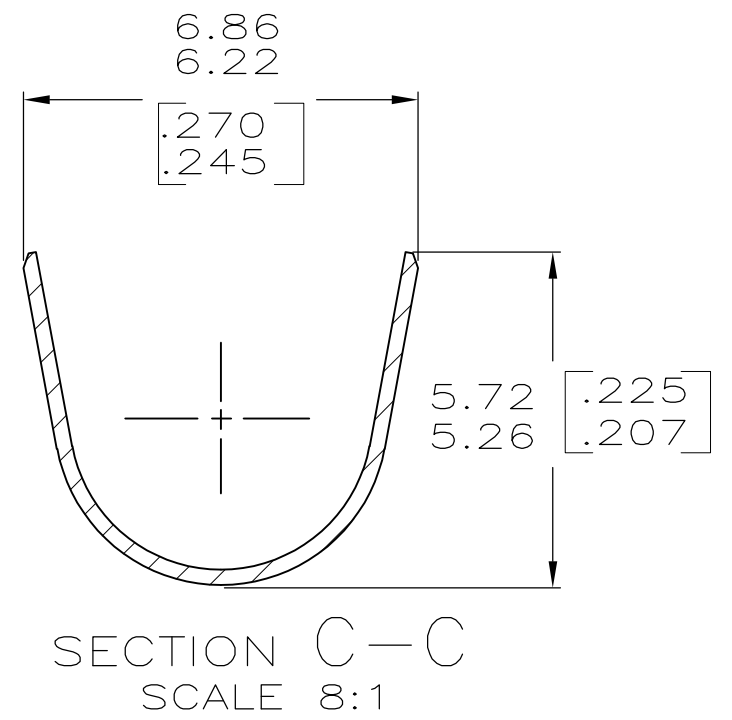
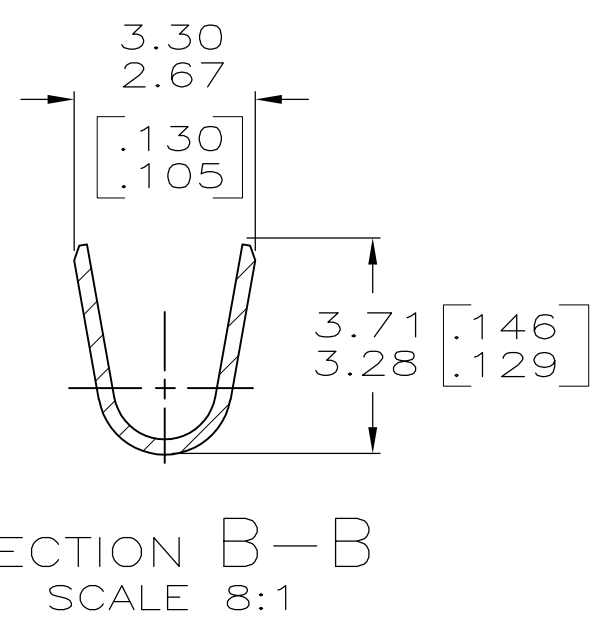
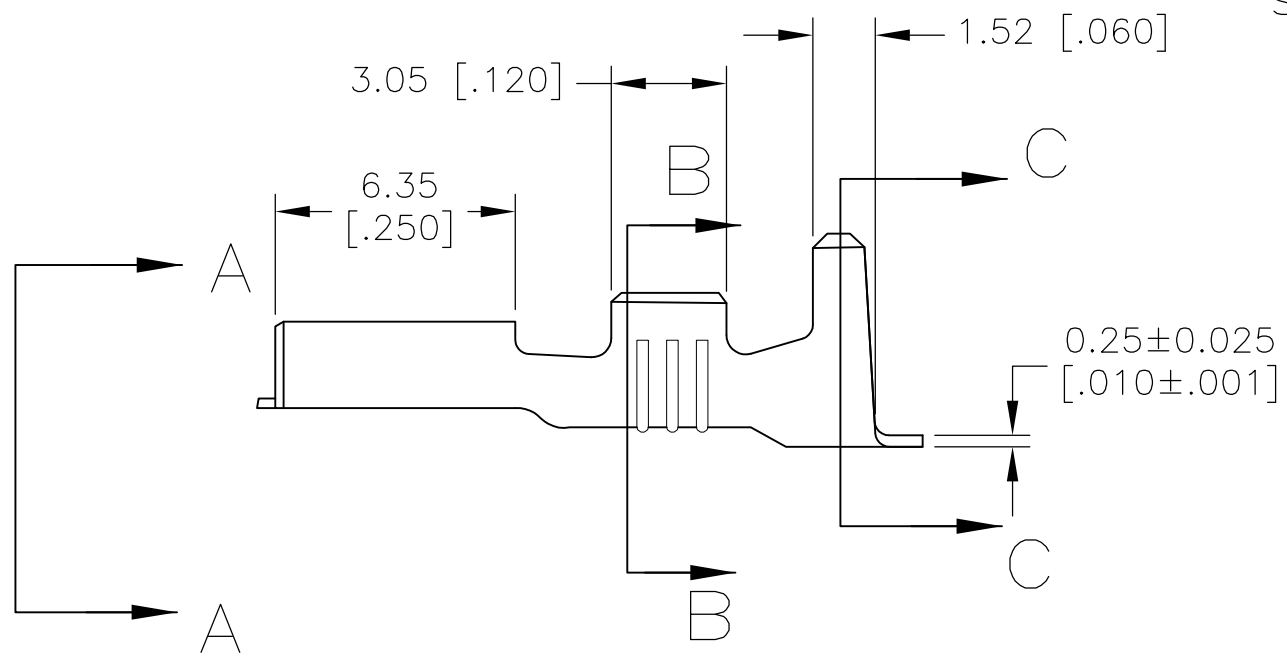
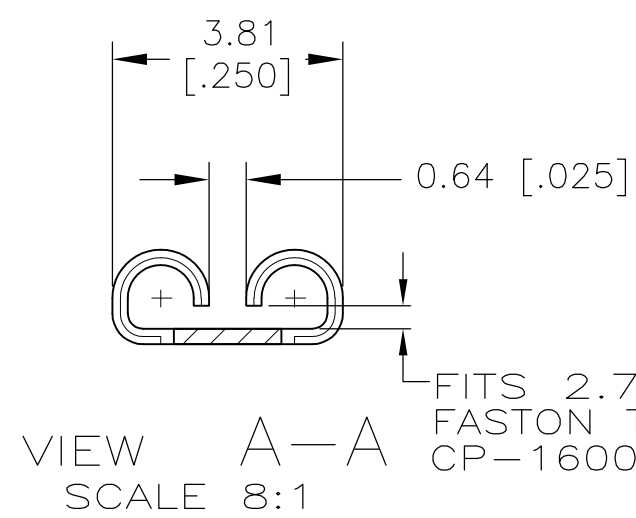
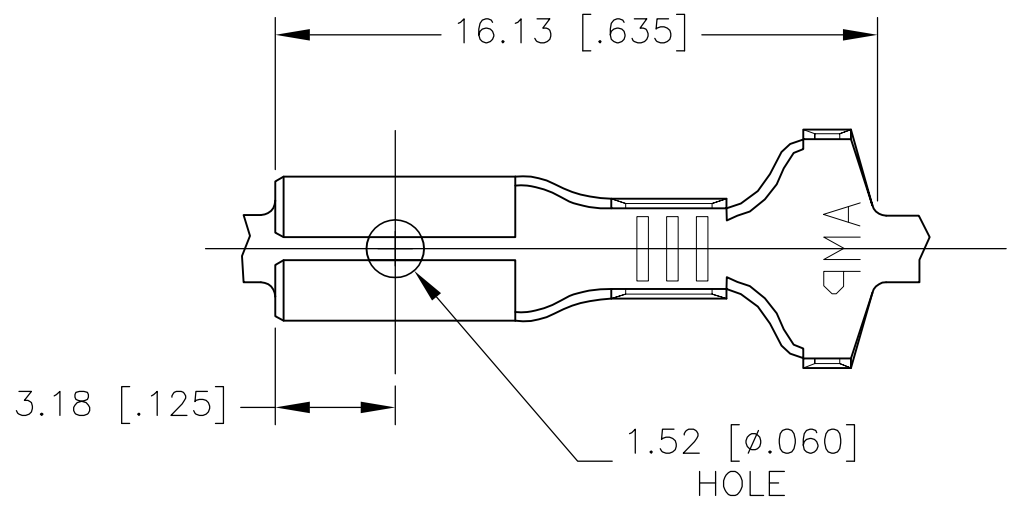


THIS DRAWING IS UNPUBLISHED. RELEASED FOR PUBLICATION
 © COPYRIGHT BY TYCO ELECTRONICS CORPORATION. ALL INTERNATIONAL RIGHTS RESERVED.

LOC	DIST	REVISIONS			
P	LTR	DESCRIPTION	DATE	DWN	APVD
AF	50	E1	REDRAWN PER ECR 09-001545	20JAN09	JR PD

- CONTINUOUS STRIP ON REELS.
- ACCEPTS WIRE SIZE [#18-#14] AWG.
- INSULATION RANGE TO BE 2.79-4.83 [.110-.190] DIA.
- MATING TAB THK TO BE 0.813 ± 0.025 [.032±.001].



63092-1
PART NO.

THIS DRAWING IS A CONTROLLED DOCUMENT.		DWN JR RUTH 20JAN09	Tyco Electronics Corporation Harrisburg, PA 17105-3608		
DIMENSIONS: INCHES	TOLERANCES UNLESS OTHERWISE SPECIFIED:	CHK PETE DESANTIS 20JAN09	NAME RECEPTACLE, FASTON, 2.79 [.110] SERIES		
	0 PLC ± -	APVD PETE DESANTIS 20JAN09	PRODUCT SPEC		
	1 PLC ± -		APPLICATION SPEC		
	2 PLC ± 0.38 [.015]		114-2036	SIZE A3	CAGE CODE 00779
	3 PLC ± -			DRAWING NO G-63092	RESTRICTED TO
	4 PLC ± -				
	ANGLES ± -				
MATERIAL H04 BRASS	FINISH TIN OVER COPPER	WEIGHT -	CUSTOMER DRAWING		
			SCALE 5:1	SHEET 1 OF 1	REV E1