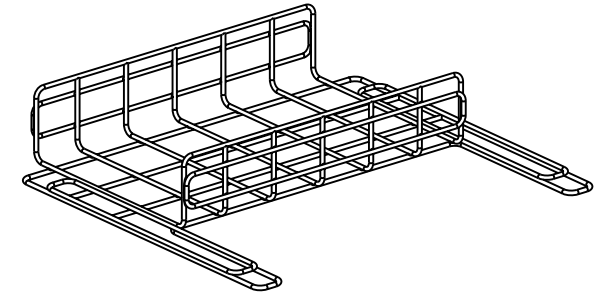
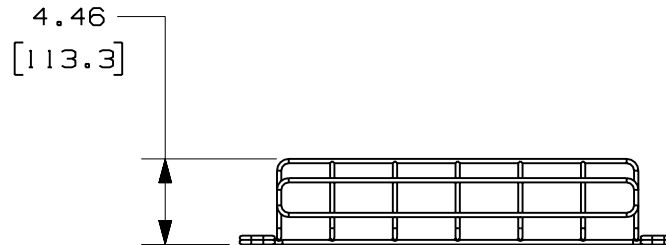
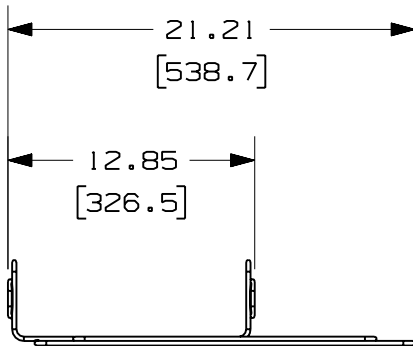
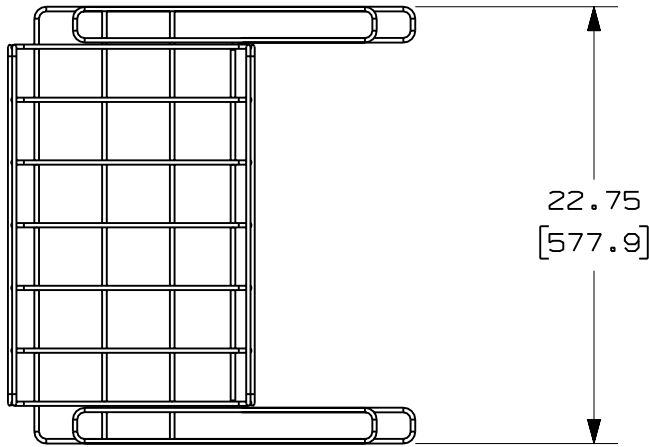


THIS COPY IS PROVIDED ON A RESTRICTED BASIS AND IS NOT TO BE USED IN ANY WAY DETRIMENTAL TO THE INTERESTS OF PANDUIT CORP.



PANDUIT PART NUMBER	WEIGHT
GR12X4X240SPG	5.52 LB/EA (2504g/EA)

NOTES:

1. SEE CURRENT CATALOG FOR ADDITIONAL PART SUFFIXES TO INDICATE PACKAGE QUANTITY.
2. DIMENSIONS IN PARENTHESES ARE IN METRIC.

ENG. REF.: D39065JU_DC/00 GR12X4X240S

CAD FILENAME/LAYERS
GR12X4X240SPG.pdf

PANDUIT CORP TINLEY PARK, ILLINOIS
GRIDRUNNER 12x4x24 OFFSET WIRE BASKET (GR12X4X240SPG)
 CUSTOMER DRAWING

UNLESS OTHERWISE SPECIFIED,
 DIMENSIONAL TOLERANCES ARE:
 (.X) ± (.XXX) ±
 (.XX) ± .05 (1.3) ANGLES ±

UNLESS OTHERWISE SPECIFIED,
 ALL DIMENSIONS ARE GIVEN IN
 INCHES, THIRD ANGLE PROJECTION.

DRAWN BY
MSO

MAT'L:

SCALE
NONE

DATE
10-30-07

PRE-GALVANIZED
STEEL WIRE

DRAWING NO.
39065-68

DWG
A
SIZE

CHK'D
SABR

REV	DATE	BY	CHK	DESCRIPTION	ECN	R	CUST	SUP	GMBH
R	10-30-07	MSO	SABR	RELEASED TO PRODUCTION	39065-68	RN	RN		