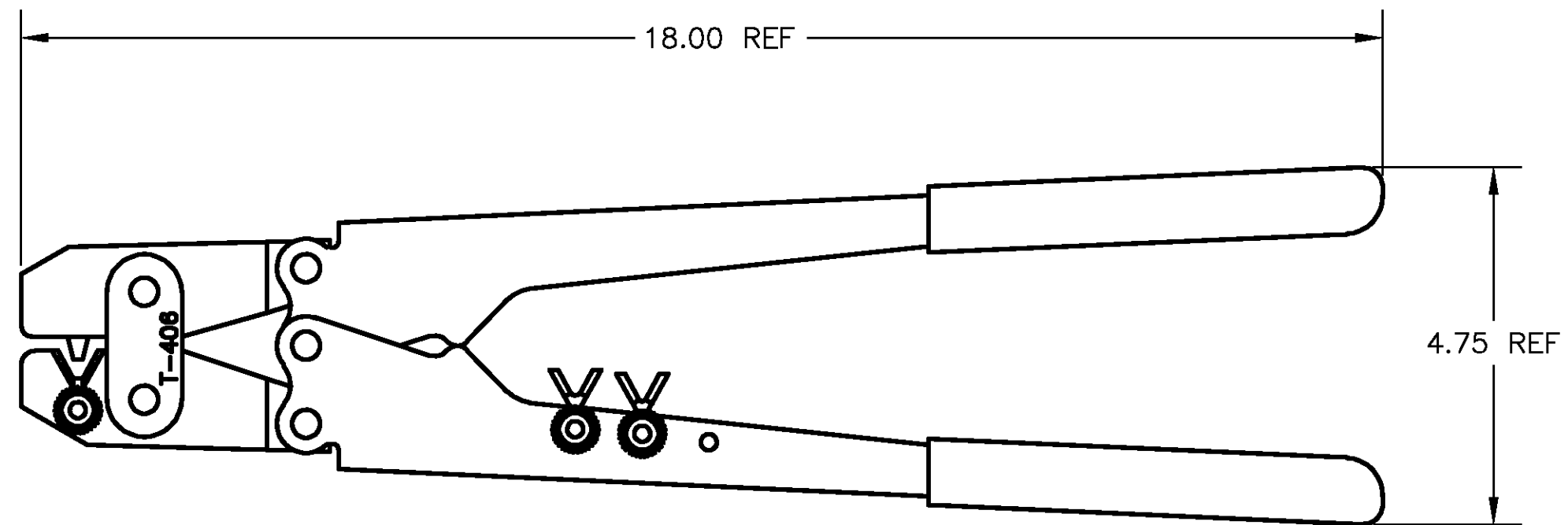


THIS DRAWING IS UNPUBLISHED. RELEASED FOR PUBLICATION
 © COPYRIGHT BY TYCO ELECTRONICS CORPORATION. ALL RIGHTS RESERVED.

LOC	DIST	REVISIONS					
		P	LTR	DESCRIPTION	DATE	DWN	APVD
G	86		0	DRAWN	03DEC02	JR	MS

- 1 REFERENCE TOOLING INSTRUCTION SHEET 408-8540 FOR INSTRUCTIONS.
- 2 INTENDED FOR USE WITH HEAVY DUTY SEAMLESS LUGS AND SPLICES, SIZES 6 AWG TO 4/0 AWG.



1526955-1
PART NO.

THIS DRAWING IS A CONTROLLED DOCUMENT.		DWN	JR RUTH	03DEC2002	 Tyco Electronics Corporation Harrisburg, PA 17105
DIMENSIONS:		GHK	MJ SPICER	03DEC02	
INCHES		APVD	MJ SPICER	03DEC02	
		PRODUCT SPEC		NAME	
0 PLC ± - 1 PLC ± - 2 PLC ± - 3 PLC ± - 4 PLC ± - ANGLES ± -		APPLICATION SPEC		SIZE	A2
MATERIAL		FINISH		WEIGHT	4 lbs
				CAGE CODE	00779
				DRAWING NO	1526955
				RESTRICTED TO	-
				SCALE	1:2
				SHEET	1 OF 1
				REV	0

1526955

A