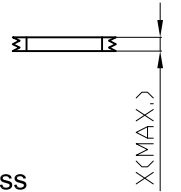


1 2 3 4 5 6 7

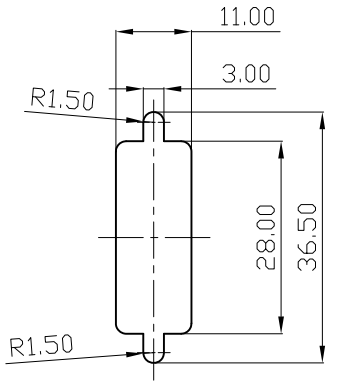
A



B

Panel Thickness
Screw L=5.0 For Panel Thickness Under 1.2mm
Screw L=6.0 For Panel Thickness Between 1.2-2.0mm

C

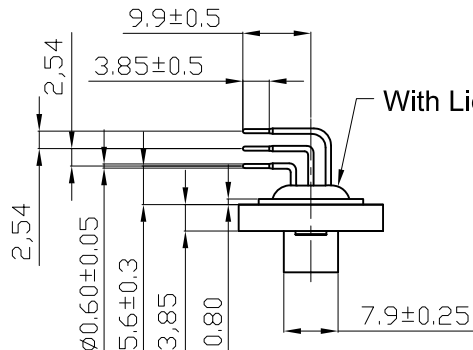


D

E

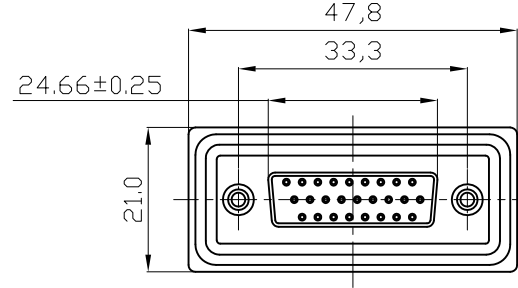
Recommended Panel Cut-Out

3

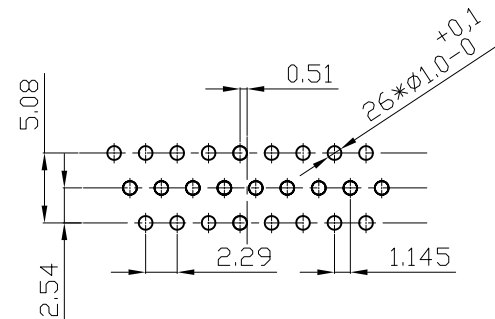


With Liquid Glue

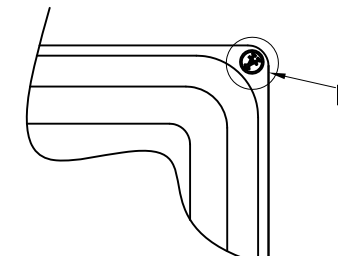
4



5



6



LOGO

NOTES:

MATERIAL

1. Insulator Material: Black, NYLON+G/F
2. Contact Material : Copper Alloy
3. Plating : Gold Plating
4. Waterproof Rate: IP67
5. Do Mating Test After Glued
6. LOGO

26 Pin Female Connector
PCB Pin Layout
Scale 2:1

G

RoHS compliant

H

Scale	1:1						Date	Name	Customer-No.
TOLERANCE						Drawn	30.12.2008	JACK	
X.X	±0.25					Approved	30.12.2008	Hellwig	ASSMANN WSW-No.
X.XX	±0.10								A-HDF 26 AA-WP
X.XXX	±0.05								Drawing-No.
DIM	TOL					ASSMANN components		ASS 3278 CO	
ANGLE	±1°							rev01	
X.X°	±X°	①	Drawn	30.12.2008	JACK				
Angle	TOL	Id.	Modification	Date	Name			Replace	Sheet

1 2 3 4 5 6 7