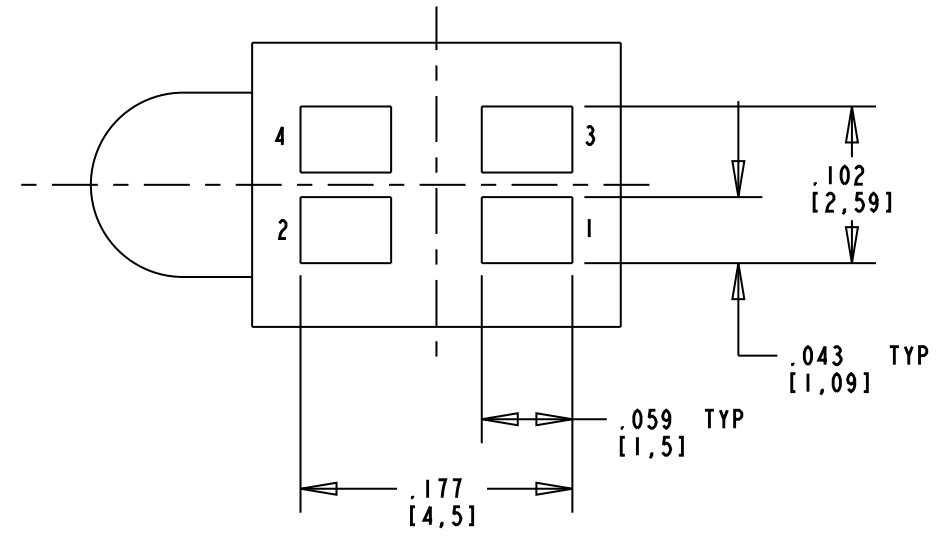
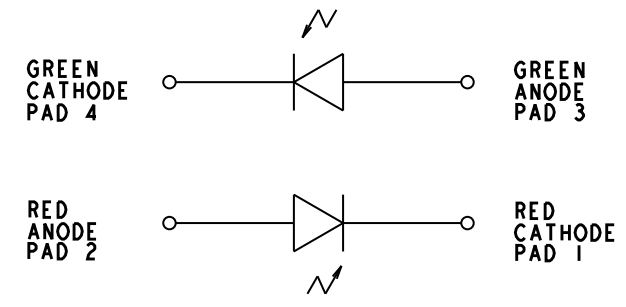


BI-COLOR LEDs
OPERATING CHARACTERISTICS AT T_A = 25 °C

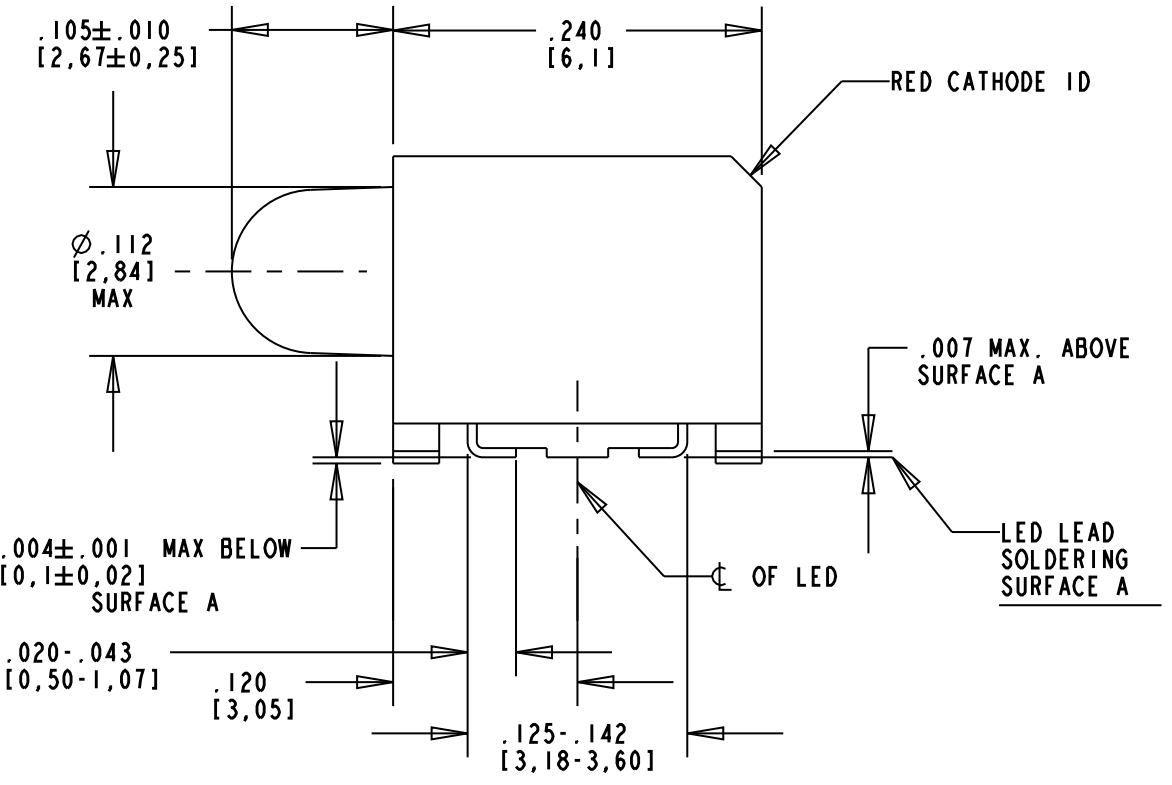
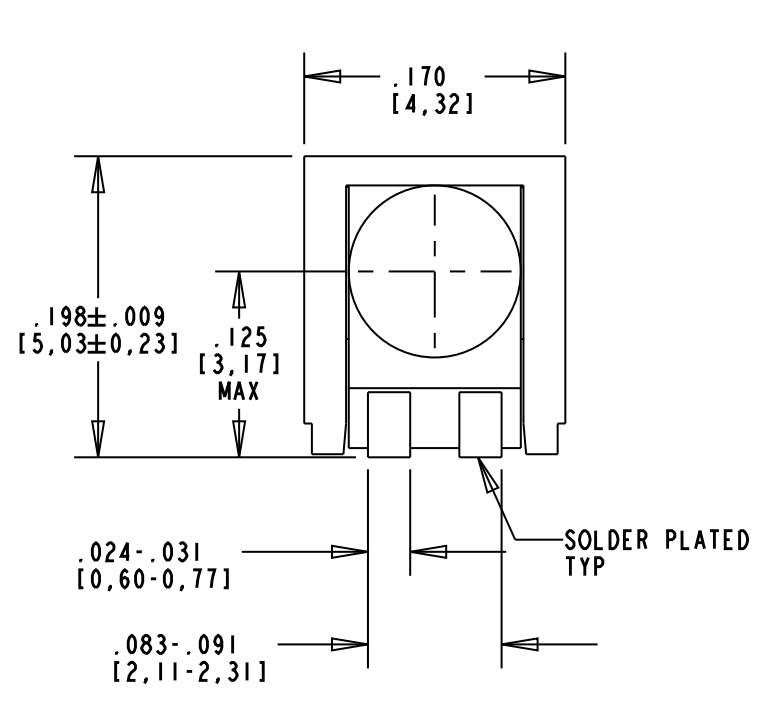
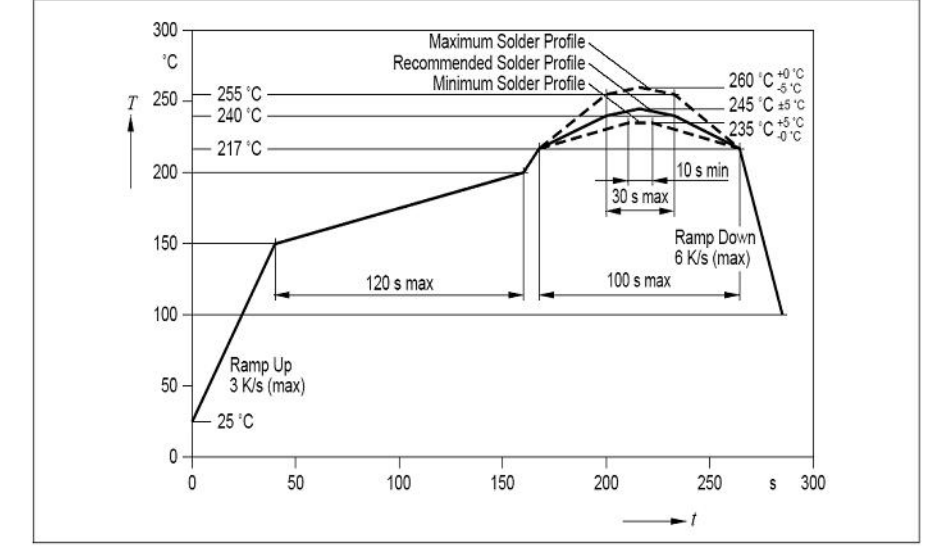
ABSOLUTE MAXIMUM RATINGS AT 25 °C AMBIENT	SUPER RED	GREEN	UNITS
POWER DISSIPATION	95		mW
CONTINUOUS FORWARD CURRENT	30		mA
REVERSE VOLTAGE	5		mA
LEAD SOLDERING TEMPERATURE FOR 15 SEC.	245		°C
OPERATING TEMPERATURE	-40 TO +100		°C
STORAGE TEMPERATURE	-40 TO +100		°C

SYMBOL	PARAMETER	COLOR	MIN	TYP	MAX	UNITS	TEST COND.
V _F	FORWARD VOLTAGE	RED		2.0	2.5	V	I _F = 10 mA
		GREEN		2.0	2.5		
λ _{DOM}	DOMINANT WAVELENGTH	RED	622	628	634	nm	
		GREEN	564	570	576		
λ _P	PEAK WAVELENGTH	RED		635		nm	
		GREEN		572			
I _V	LUMINOUS INTENSITY	RED		6.5		mcd	I _F = 20 mA
		GREEN		8.0			

REV	ECN NO	REVISIONS	DRN	CKD	APP	DATE
A		NEW RELEASE	TWC			
B		ADDED LED LEAD DIMENSIONS; ADDED DUAL DIMENSIONS.	AJF	KLJ	NO	10-28-10

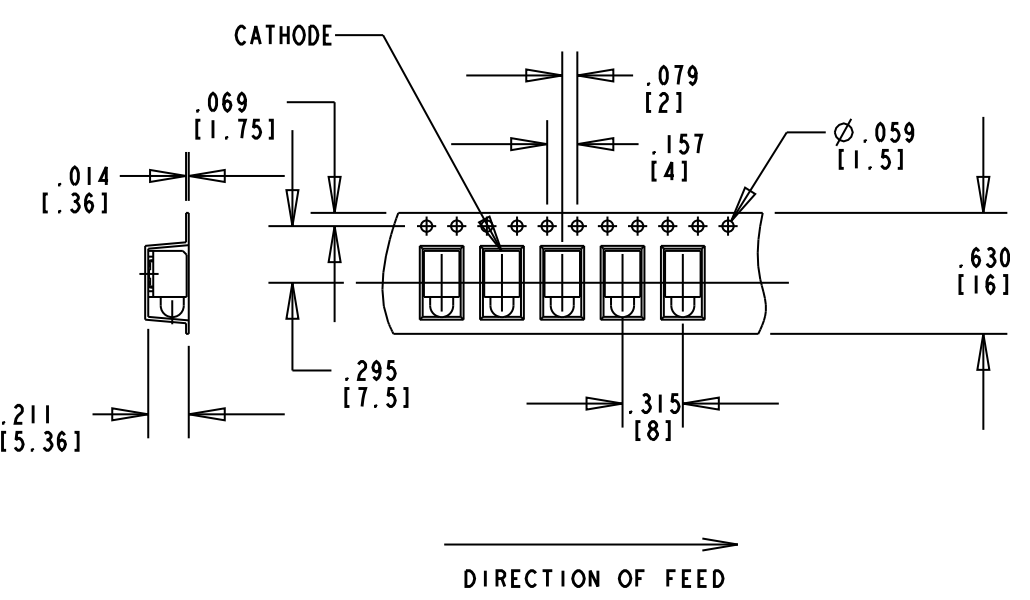


COMPONENT SIDE
RECOMMENDED PC BOARD LAND PATTERN
(DIM'S ±.004)
0.1MM



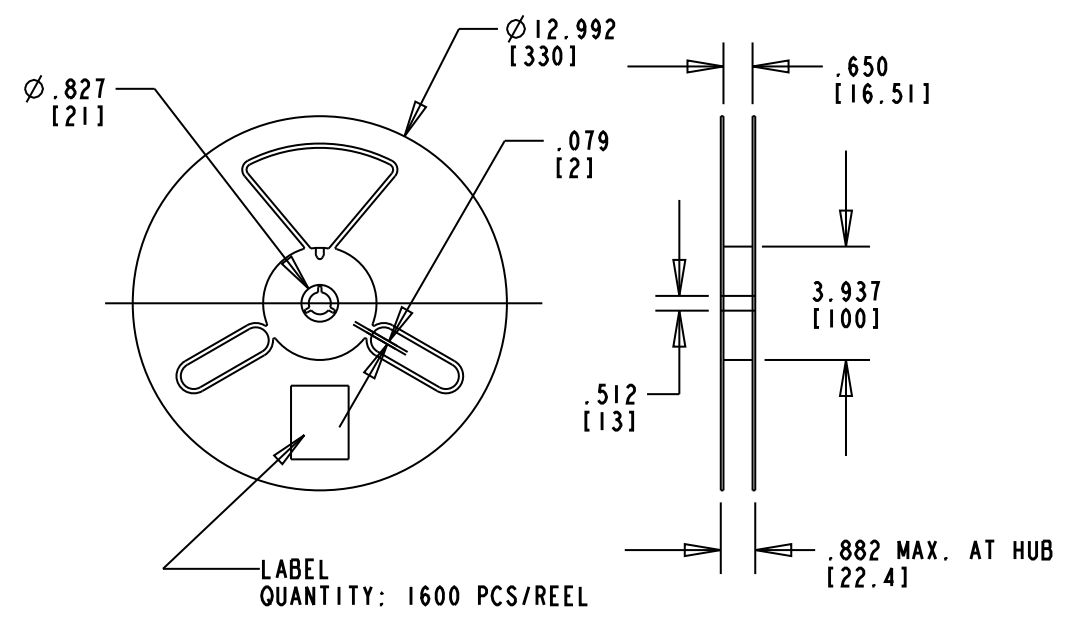
- NOTES:
- MILLIMETER DIMENSIONS SHOWN FOR REFERENCE ONLY.
 - PAD NUMBERS FOR REFERENCE ONLY, DESIGNATION NON-EXISTENT ON PART.
 - STORAGE CONDITIONS FOR TAPED PRODUCT: RE-TAPING MAY BE NECESSARY FOR PRODUCT STORED MORE THAN TWELVE MONTHS.
 - ORDER QUANTITY IS LED ASSEMBLIES, NOT REELS.
 - 002F SUFFIX MEANS PARTS ARE PACKED ON A 20 PCS SAMPLE STRIP.
-007F SUFFIX MEANS PARTS ARE PACKED ON A 7 INCH REEL, 400 PCS/REEL.
-013F SUFFIX MEANS PARTS ARE PACKED ON A 13 INCH REEL, 1600 PCS/REEL.
 - LENS MOVEMENT IN RELATIONSHIP TO THE HOUSING IS:
.009" T.I.R. VERTICALLY.
.007" T.I.R. HORIZONTALLY.
 - FRONT AND REAR TERMINALS OF ASSEMBLY TO BE WITHIN .005 COPLANARITY.
 - DIALIGHT PART NUMBER: 591-3001-002F, 591-3001-007F, 591-3001-013F
 - DEVICE HAS A MOISTURE SENSITIVITY LEVEL "2" CAUTION LABEL APPLIED AS PER JEDEC STD. 033
 - THIS PRODUCT IS Pb FREE. IT IS IN COMPLIANCE WITH THE DIRECTIVE 2002/95/EC (RoHS) AND DOES NOT CONTAIN ANY OF THE BANNED SUBSTANCES Pb, Cd, MERCURY, HEXAVALENT CHROMIUM OR FLAME RETARDANTS (PBB, PBDE)

TAPING SPECIFICATION

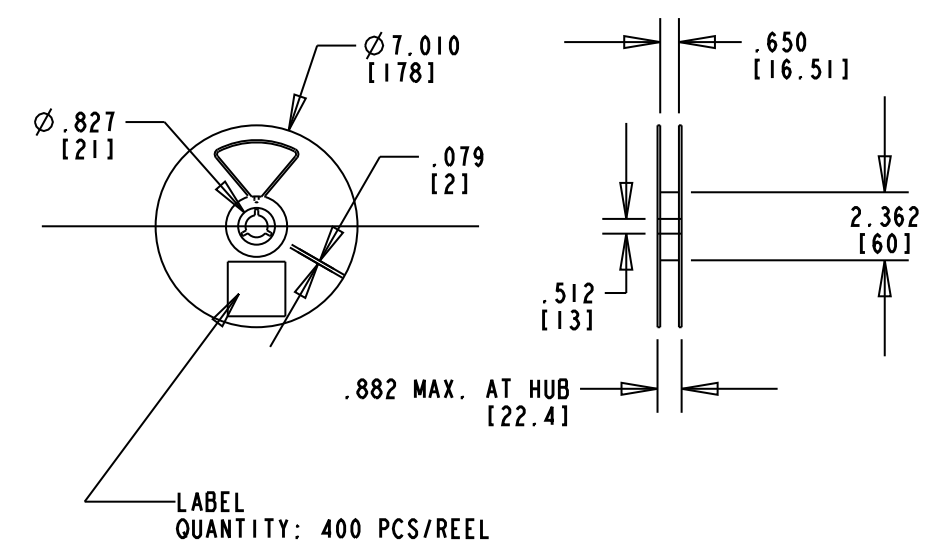


TOLERANCE: .004 UNLESS OTHERWISE SPECIFIED.
MILLIMETER DIMENSIONS SHOWN FOR REFERENCE ONLY.

REEL SPECIFICATION



13 INCH DIA. REEL SPECIFICATIONS



7 INCH DIA. REEL SPECIFICATIONS

THIS DRAWING AND THE CONTENTS HEREIN ARE CONFIDENTIAL AND THE SOLE PROPERTY OF DIALIGHT. REPRODUCTION OF THIS DRAWING OR CONSTRUCTION OF ANY PARTS WITHIN THIS DRAWING ARE FORBIDDEN WITHOUT THE WRITTEN CONSENT OF DIALIGHT.

SCALE: DRAWING SCALE	DRAWING NUMBER	REV
ALL DIM'S IN: INCHES (MM)	C-17245	B
TOLERANCES: UNLESS OTHERWISE SPECIFIED	TITLE RoHS COMPLIANT 591-3001-002F, -007F, -013F	
FRACTIONS: ±1/64	MATERIAL	
DECIMALS (.XX): ±.01	FINISH:	
DECIMALS (.XXX): ±.005	FSCM 83330	
DECIMALS (.XXXX): ±.0005	SHEET 1 OF 1	
ANGLES: ±1°	FAMILY TABLE:	

Dialight 1501 ROUTE 34 SOUTH FARMINGDALE, NJ 07727