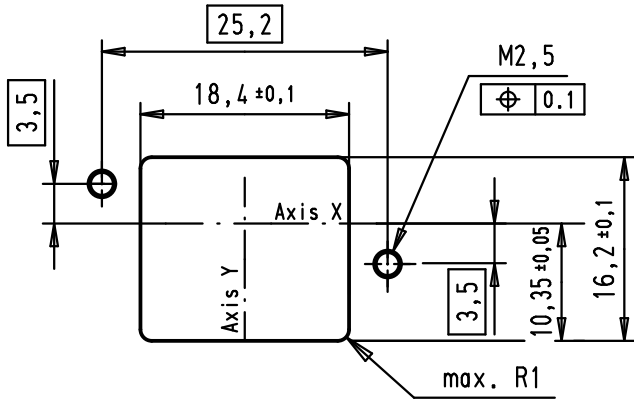
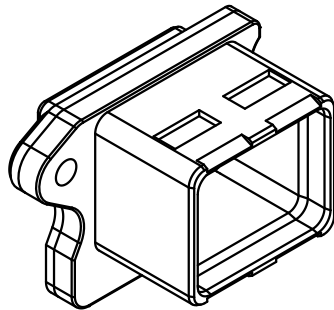
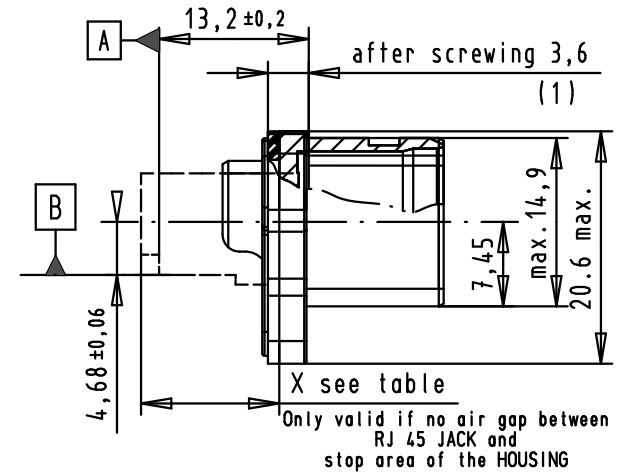
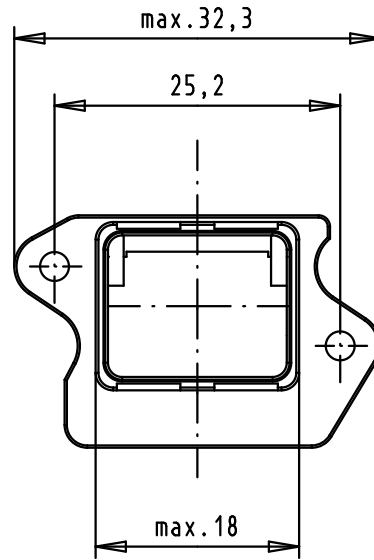


PANEL CUTTING



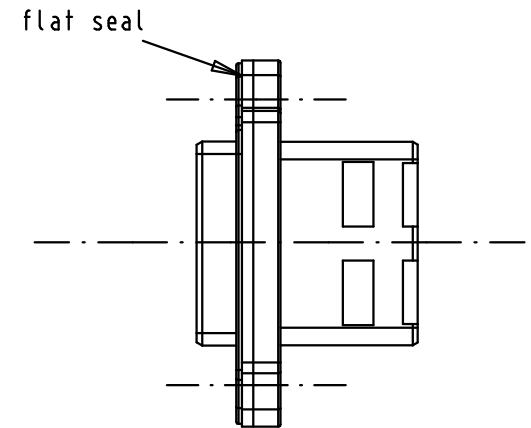
MAXI PANEL THICKNESS: 3.5mm.  
M2.5 threads musn't go through the panel.



Connector pitch on panel:  
Axis X = 27 mm and Axis Y = 21 mm  
Receptacle mating side according to  
600076-3-106 IEC - variant 04

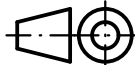

RJ 45 jack mating references A and B  
according to IEC 60603-7

(1) Screwing x2 M2.5 screws between 0.5N.m and 0.8N.m  
screw according to DIN 912 and ISO 4762



NO AIR GAP BETWEEN RJ45 JACK AND HOUSING

RJ 45 JACK VARIANT	TB	X
angled jack SMD variant	09 45 551 1100	17.6 +/-0.4
angled jack SOLDER PIN variant	09 45 551 1102	17.6 +/-0.4

Mod.	Dat.	Name	Det.	Name	 All Dim. in mm Orig. Size DIN A 4	Push pull RJ Industrial black Thermoplastic IP67 Receptacle with overmolded flat Seal For angled jacks and power	Maßstab/ Scale
			Detail.	12/01/10			AB
			Insp.	14/06/11	JMV		
36243	14/06/11	AB	Stand.			TB 09 45 545 00 33 Sub.	Blatt/ Page
36092	05/09/10	AB	HARTING EURL F-95972 Paris				1/1
EC01204	12/01/10	AB					