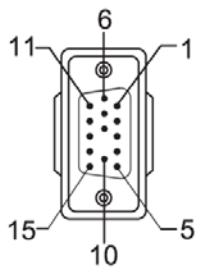
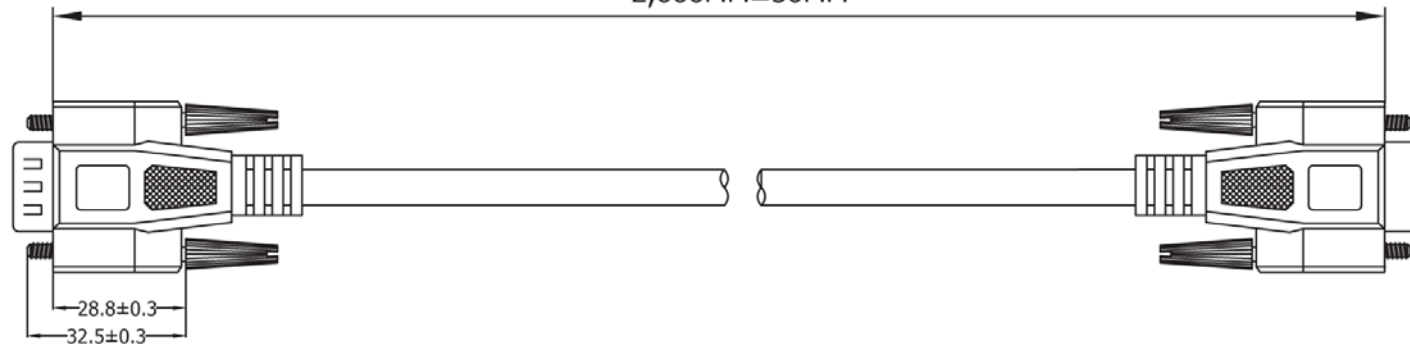


HD 15 Male

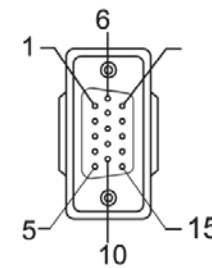


**P1**

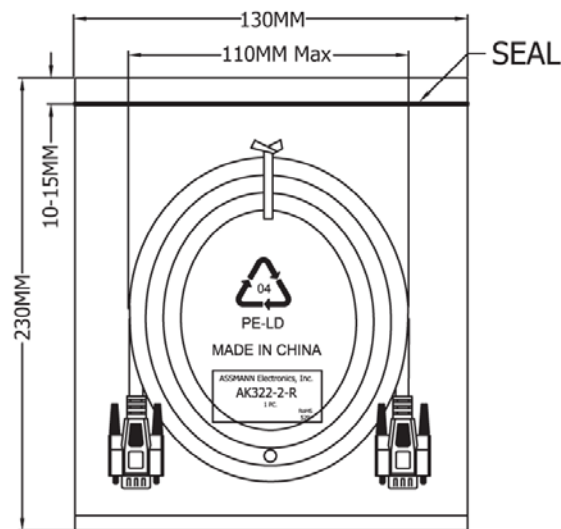
2,000MM±50MM



HD 15 Female



**P2**



1PCS / PE Bag

**PIN Assignment**

P1		P2
1	WHITE	1
2	GREY	2
3	YELLOW	3
4	PINK	4
5	ORANGE	5
6	RED	6
7	BROWN	7
8	GREEN	8
10	BLUE	10
11	PURPLE	11
12	LIGHT GREEN	12
13	LIGHT BLUE	13
14	BLACK	14
15	WHITE/BLACK	15
Shell	DRAIN	Shell

**Material:**

- Cable: NOUL 28AWG(7/0.12TC)\*14C+AL/MY+D.W(7/0.12 TC)
  - OD  $\varnothing 6.0 \pm 0.15$ MM
  - Outer Jacket Color: Beige(IV-29)
- P1 Connector: HDD15P Male Solder Type
  - Pin G/F
  - Insulation Color: Blue
  - Shell Plate Nickel
- P1 Connector: HDD15P Female Solder Type
  - Pin G/F
  - Insulation Color: Blue
  - Shell Plate Nickel
- Inner Jacket: Clear LDPE
- Outer Jacket: Beige, 40P PVC
- Screw: #4-40UNC
  - Length: 47MM
  - Nickel Plated
- Copper Foil: Double Sided Conductive Copper Foil,  $18\mu$ " W25MM\*L55MM

**Electrical:**

- 100% Test, (Open, Short, Miss Wire)
- Contact Resistance:  $3\Omega$  Max.
- Insulation Resistance:  $5M\Omega$  Min.
- Hi-Pot: 300V DC/10ms



Scale	1:1						Name	Item No. <b>AK322-2</b>
TOLERANCE					Drawn	11.16.11	Chappell	
X.X	$\pm 0.40$				Approved			Title VGA Monitor Extension Cable - 2 Meters, HD D-Sub 15 pin Female <=> HD D-Sub 15 pin Male
X.XX	$\pm 0.25$							
X.XXX	$\pm 0.15$							Drawing No.
Angle	$\pm 3^\circ$							
								<b>rev00</b>
								Replace
								Sheet



Modification      Date      Name