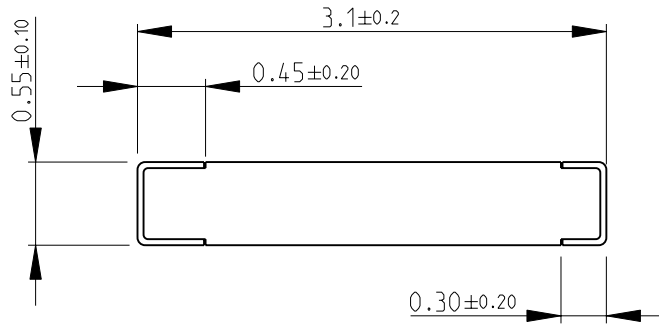
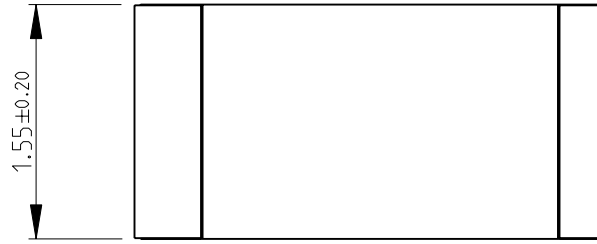
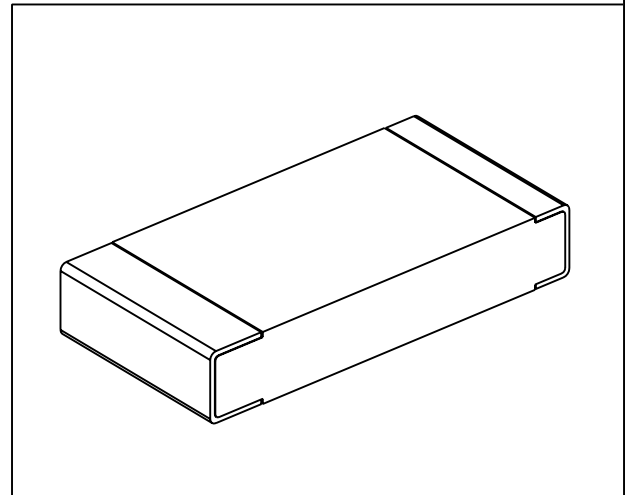


| | | | | | | | |
|-----|------|-----------|-----|-------------|-----------|-----|------|
| LOC | DIST | REVISIONS | | | | | |
| E | B | P | LTR | DESCRIPTION | DATE | DWN | APVD |
| | | | BA | NEW RELEASE | 24-Sep-08 | SM | St.P |

FOR FURTHER INFORMATION SEE DATA SHEET FOR
CPF SERIES-THIN FILM PRECISION CHIP RESISTORS



RoHS Compliant



2008

RELEASED FOR PUBLICATION

THIS DRAWING IS UNPUBLISHED.

BY TYCO ELECTRONICS CORPORATION. ALL RIGHTS RESERVED.



| | | | | | | |
|--|------------------|-----------|--|------------|-----------|---------------|
| DIMENSIONS: mm | DWN | 24-Sep-08 | MATERIAL | - | FINISH | - |
| | CHK | 24-Sep-08 | Tyco Electronics Corporation Dorcan, Swindon, SN3 5HH | | | |
| TOLERANCES UNLESS OTHERWISE SPECIFIED: | APVD | 24-Sep-08 | | | | |
| 0 PLC ±0.2 | PRODUCT SPEC | - | NAME THIN FILM PRECISION CHIP RESISTORS SERIES CPF 1206 | | | |
| 1 PLC ±0.1 | APPLICATION SPEC | - | | | | |
| 2 PLC ±- | WEIGHT | - | SIZE | A 4 | CAGE CODE | 00779 |
| 3 PLC ±- | | | DRAWING NO | C= 1614969 | | RESTRICTED TO |
| 4 PLC ±- | | | | | | - |
| ANGLES ±5° | | | | | | |
| | CUSTOMER DRAWING | | SCALE | 20:1 | SHEET | 1 OF 1 |
| | | | | | | REV BA |