

2

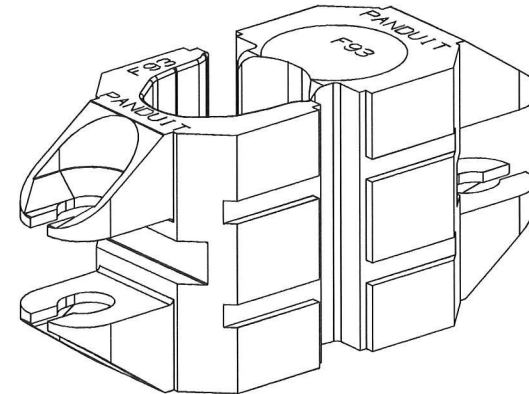
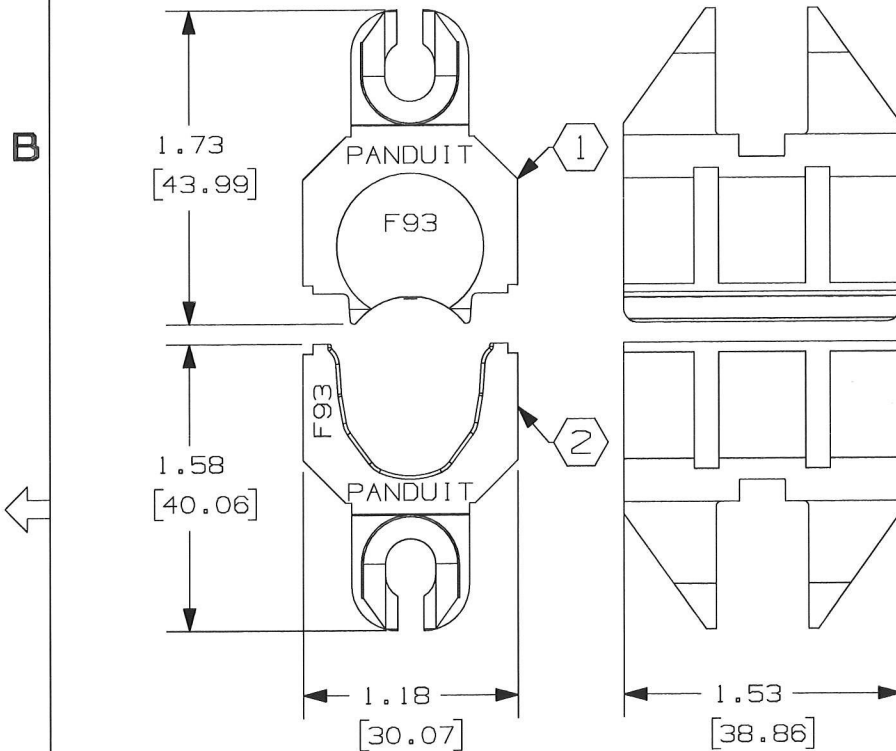
1

THIS COPY IS PROVIDED ON A RESTRICTED BASIS AND IS NOT TO BE USED IN ANY WAY DETRIMENTAL TO THE INTERESTS OF PANDUIT CORP.

ID	PART NUMBER	DESCRIPTION
1	CD-2001-F93	DIE, CRIMP - TP26999B01
2		DIE, F - TP26998B01

NOTES, UNLESS OTHERWISE SPECIFIED:

1. DIMENSIONS IN BRACKETS ARE IN METRIC.
2. RECOMMENDED TOOL: CT-3001
3. COMPATIBLE TOOL: CT-2001
4. WIRE SIZE: 350 MCM
5. CRIMPS: F93 FERRULES - ALL SIZES



01	04/12/13	SILD	ALP	RELEASE				4545	
REV	DATE	BY	CHK	APR	DESCRIPTION			ECN	

TITLE				CD-2001-F93 CUSTOMER DRAWING			
CUSTOMER DRAWING							
ITEM REVISION NAME				R26997AA/01			
DATASET FILE NAME				R26997AA_DS_TP26997A01/01A			
UNLESS OTHERWISE SPECIFIED, DIMENSIONAL TOLERANCES ARE: IN (mm)				MATERIAL:			
.x ± .1 [ 2.54 ]		.xxx ± .005 [ .127 ]		4140 STEEL / RC 32-35			
.xx ± .01 [ .25 ]		ANGLES ± 5 °		DRAWING NUMBER:			
		THIRD ANGLE PROJECTION		TP26997A01			
DRAWN BY	DATE	CHK	SCALE	SHT 1 OF 1		SIZE	
SILD	04/12/13	ALP	1:1			A	

2

1