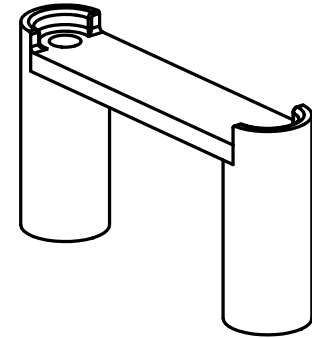
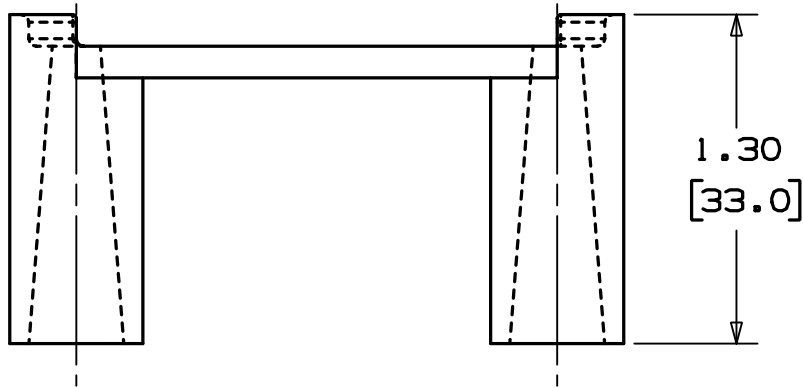
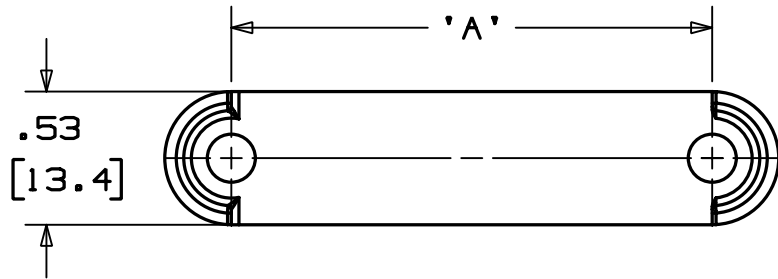


THIS COPY IS PROVIDED ON A RESTRICTED BASIS AND IS NOT TO BE USED IN ANY WAY DETRIMENTAL TO THE INTERESTS OF PANDUIT CORP.

PANDUIT PART NO	DIM 'A'	SCREW SIZE	USE WITH PANDUIT SPRING	WEIGHT lbs 100 (g) pcs.
SHH1-S8	1.8 (47)	#8 (M4)	PBSC1	4.8 (2170)
SHH3-S8	6.8 (174)		PBSC3	6.1 (2790)



NOTES:

- MATERIAL: NYLON 6/6
COLOR: BLACK
- SEE CURRENT PRICE SHEEF FOR SUFFIX DESIGNATION FOR PACKAGE SIZE.

DIMENSIONS IN BRACKETS ARE METRIC [mm]	
CAD FILENAME/LAYERS G00239LC_PB_SHH_00	
PANDUIT CORP. TINLEY PARK, ILLINOIS	
SPRING HOLDER (SHH_----)	
UNLESS OTHERWISE SPECIFIED, DIMENSIONAL TOLERANCES ARE: (.X) ±0.05 (1.3) (.XXX) ±0.010 (0.25) (.XX) ±0.02 (0.5) ANGLES ± 5°	UNLESS OTHERWISE SPECIFIED, ALL DIMENSIONS ARE GIVEN IN INCHES, THIRD ANGLE PROJECTION.
DRAWN BY JAD	MAT'L: SCALE 1.5X
DATE 2/24/04	SEE NOTE 1
DRW'D	DWG NO. GB0239LC
	DWG SIZE A

REV	DATE	BY	CHK	DESCRIPTION	ECN	R	CUST	SUP
R	2/24/04	JAD		INITIAL RELEASE, REPLACES SS8809	GB0239LC	R		